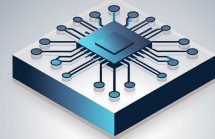


Catalogue 2024

Honeywell

Limit Switch



KALYANI
INDUSTRIES



Honeywell

SZL-VL

Industrial Limit Switches

1NO + 1NC SPDT with 10amp - 220v

SZL-WL

General Purpose Limit Switches

2NO + 2NC

BZC

Micro Limit Switches

SL

Limit Switches

BZE6

Medium Duty Limit Switches

GLA

Heavy Duty Limit Switches

ZLC

General Purpose Limit Switch (Metal Body)

ZLD

General Purpose Limit Switch (Thermo Plastic)

14CE

Miniature Precision Micro Limit Switch

NGC

Micro Compact Limit Switches

BXIND

Hazardous Area Flame Proof Limit Switch

LSC

Limit Switch

GXA / GXE

Flame Proof Limit Switch - 5 mtr Cable

SZL-VL

Industrial Limit Switches

IP67 - 1NO + 1NC SPDT with 10amp - 220v



**SIDE ROTARY- FIXED LEVER
PLASTIC ROLLER**



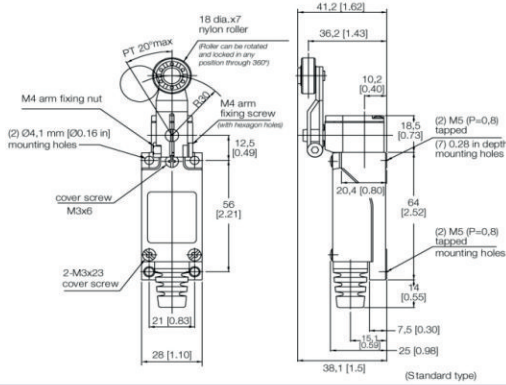
**SZL-VL-S-I-N
SIDE ROTARY-FIXED LEVER
METAL ROLLER**



**SZL-VL-S-B-N
SIDE ROTARY - ADJUSTABLE
PLASTIC ROLLER**



**SZL-VL-S-J-N
SIDE ROTARY - ADJUSTABLE
METAL ROLLER**



DIMENSIONS mm [in]



**SZL-VL-S-F-N
PLASTIC ROD
COIL SPRING**



**SZL-VL-S-G-N
CAT WHISKER
METAL SPRING**



**SZL-VL-K-I-N
WOBBLER COIL
SPRING - METAL 360 OPE**



**SZL-VL-S-D-N
TOP PIN PLUNGER**



**SZL-VL-S-E-N
TOP ROLLER PLUNGER
CROSS**



**SZL-VL-S-H-N
TOP ROLLER PLUNGER
HORIZONTAL**



**SZL-VL-S-C-N
SIDE ROTARY
ADJUSTABLE METAL ROD**

SZL-WL General Purpose Limit Switches

IP67 - 1NO + 1NC 1/2 NPT with 10amp - 220v



SZL-WL-A-A01AH
SIDE ROTARY - ROLLER



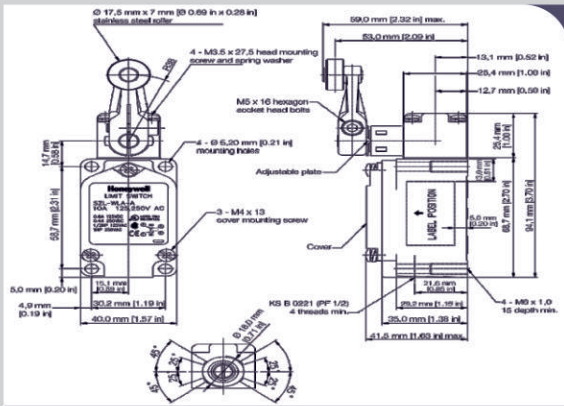
SZL-WL-B-A01AH
ADJUSTABLE - SIDE
ROTARY - ROLLER



SZL-WL-C-A01AH
ADJUSTABLE METAL ROD ROLLER
SIDE ROTARY STD LEVER



SZL-WL-D-A01AH
FORK LOCK LEVER



SZL-WL-E-A01H
TOP ROLLER PLUNGER
PLUNGER TYPE



SZL-WL-F-A01H
PLUNGER TYPE



SZL-WL-G-A01H
PLUNGER TYPE
ROLLER - SEALED



SZL-WL-K-A01H
COIL ACTUATOR METAL



SZL-WL-M-A01H
PLASTIC ROD
COIL SPRING TYPE



SZL-WL-O-A01AH
FIXED 50MM DIA ROLLER
SIDE ROTARY



SZL-WL-E-A01H
ADJUSTABLE 50MM DIA
ROLLER SIDE ROTARY

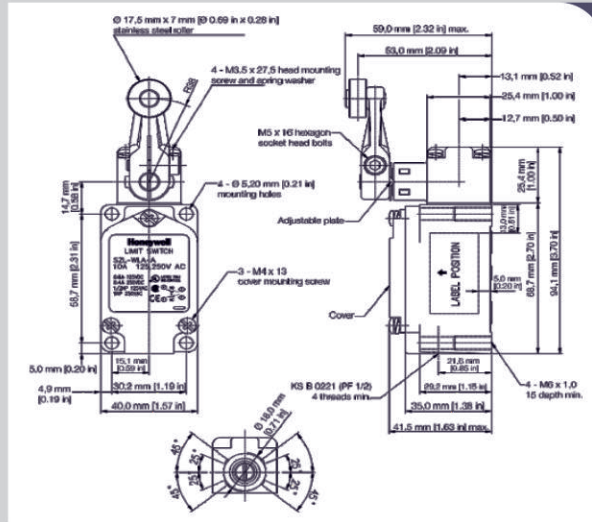
SZL-WL General Purpose Limit Switches

IP67 - 2NO + 2NC 1/2 NPT with 10amp - 220v



SZL-WL-A-A20AH
SIDE ROTARY - ROLLER

Honeywell



DIMENSIONS mm [in]



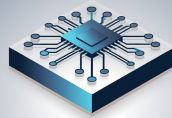
SZL-WL-E-A20AH
TOP ROLLER PLUNGER



SZL-WL-B-A20AH
ADJUSTABLE - SIDE
ROTARY - ROLLER



SZL-WL-F-A20AH
PLUNGER TYPE



KALYANI
INDUSTRIES



SZL-WLC-A-L3
SIDE ROLLER ROTARY
LED INDICATOR (1NO 1NC)



SZL-WLC-B-L3
ADJUSTABLE SIDE ROTARY
SPDT - DOUBLE BREAK (1NO 1NC)



SZL-WLP-A
SIDE ROLLER ROTARY
MAINTAINED TYPE (1 NO 1NC)

**MADE
IN
KOREA**

BZC

Micro Limit Switches

15 AMP - 220 VAC - 1 NO + 1NC



BZC-2R-A2
TOP PIN PLUNGER



BZC-2RD-A2
TOP PLUNGER



BZC-2RQ1-A2
TOP PUSH PLUNGER



BZC-2RQ18-A2
TOP ROLLER PLUNGER



BZC-2RQ181-A2
TOP TRANSVERSE
ROLLER PLUNGER



BZC-2RW80-A2
LONG LEVER



BZC-2RW82-A2
LONG ROLLER LEVER



BZC-2RW822-A2
SHORT ROLLER LEVER



BZC-2RW826-A2
ONE WAY ROLLER
LEVER



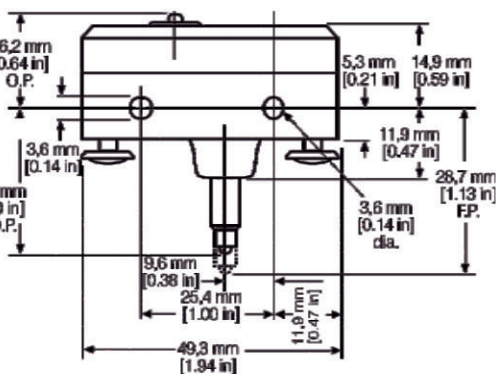
AP-Z
SOFT PVC FLEXIBLE
TERMINAL COVER



AP-B
HARD PLASTIC
TERMINAL COVER

Accurate, reliable, and repeatable, Honeywell MICRO SWITCH BZC Series Micro Limit switches are designed and manufactured for applications requiring precision switch characteristics & long life.

Honeywell



FIXING DIAGRAM



KALYANI
INDUSTRIES
INDUSTRIES

SL

Limit Switches



SL-A
PANEL - ROLLER
PLUNGER



SL-A1
PANEL - TRANSVERSE
ROLLER PLUNGER



SL-B
SHORT LEVER



SL-B1
LONG LEVER



SL-E
ROLLER
SHORT LEVER



SL-E1
ROLLER
ONE -WAY



SL-F
COIL SPRING
PLASTIC ROD



SL-H
PANEL
TOP PIN PLUNGER



*Non Std Product
On Request Only*

SL-H1
TOP PUSH PLUNGER



*Non Std Product
On Request Only*

SL-H2
TOP PUSH PLUNGER
SMALL



SL-P
TOP ROLLER



SL-P1
ROLLER ONE WAY

SLP

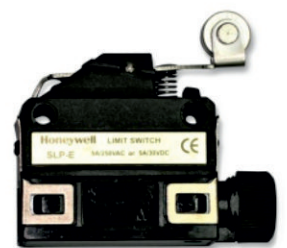
**Miniature
Limit Switches
Full Metal Body**



SLP-A
TOP ROLLER PLUNGER



SLP-A1
TOP ROLLER PLUNGER
TRANSVERSE



SLP-E
ROLLER LEVER



BZE6

Medium Duty Limit Switches

Standard Side Mount (Single Break)



BZE6-2RN
PLUNGER



BZE6-2RN2
ADJUSTABLE ROLLER



BZE6-2RN80
ROLLER PLUNGER



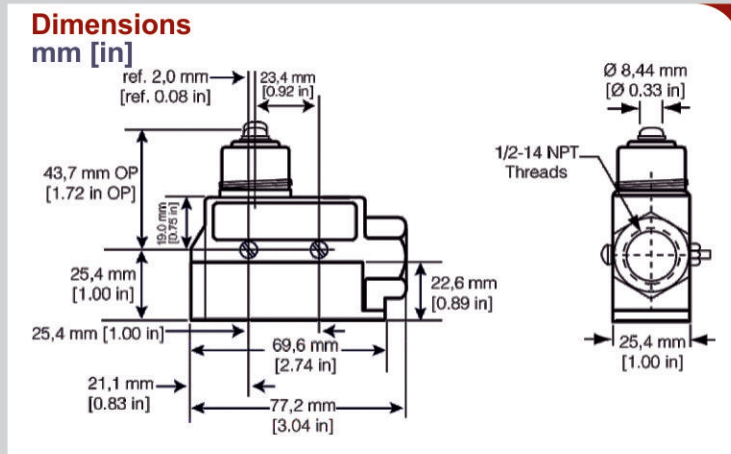
BZE6-2RQ
NO SEAL BOOT



BZE6-2RN18
COIL SPRING WOBBLE STICK



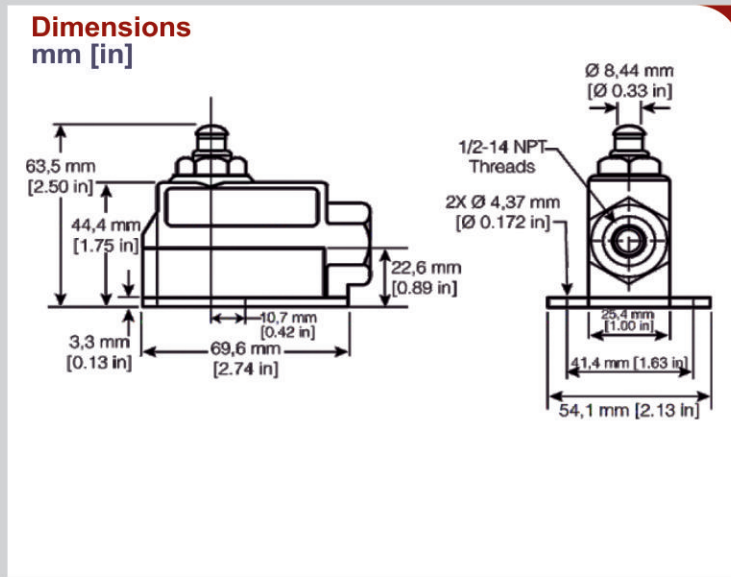
BZE6-2RQ81
CROSS ROLLER PLUNGER



BZE6-2RQ8
ROLLER PLUNGER



BZV6-2RN2
ADJUSTABLE ROLLER LEVER



10AMP - 220VAC



GLAA01A1B
STD SIDE ROTARY
LEVER ACTUATOR
1NO + 1NC



GLAA01A1B
ADJUSTABLE SIDE
ROLLER ROTARY
ACTUATOR **1NO+1NC**



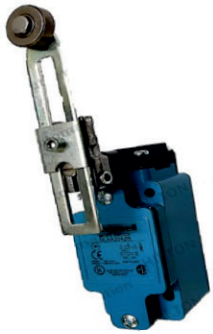
GLAA01A1B
TOP PLUNGER
ACTUATOR
1NO + 1NC



GLAA01A1B
TOP ROLLER
PLUNGER
1NO + 1NC



GLAA01A1B
TOP ROLLER
ARM
1NO + 1NC



GLAA20A2B
ADJUSTABLE SIDE
ROLLER ROTARY
ACTUATOR **2NO+2NC**



GLAA20B
TOP PLUNGER
ACTUATOR
2NO + 2NC



GLAA20C
TOP ROLLER
PLUNGER
2NO + 2NC

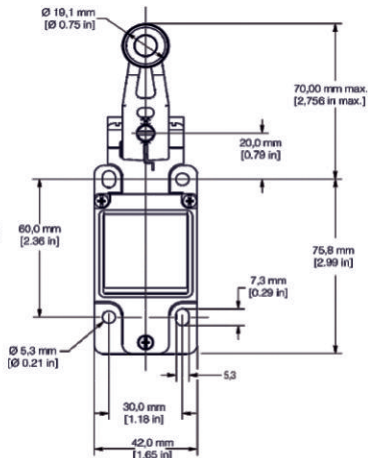


GLAA201A1B
STD SIDE ROTARY
LEVER ACTUATOR
2NO - 2NC - 360°



GLAA20D
TOP ROLLER
ARM
2NO 2 NC

DIMENSIONS



GLAA20A
STD SIDE ROTARY
LEVER ACTUATOR
2NO + 2NC



GLAA20A2B-2
ADJUSTABLE SIDE
ROLLER ROTARY
ACTUATOR
2NO+2NC ANTI CLOCKWISE



GLAA20A2B-1
ADJUSTABLE SIDE
ROLLER ROTARY
ACTUATOR
2NO+2NC CLOCKWISE

ZLC

General Purpose Limit Switches

10AMP - 220VAC 1NO + 1NC

Metal Body



ZLC-A01A1B
SIDE ROTARY - FIXED



ZLC-A01A2B
SIDE ROTARY
ADJUSTABLE



ZLC-A01B
TOP PLUNGER



ZLC-A01C
TOP ROLLER LEVER

ZLD

General Purpose Limit Switches **Honeywell**

10AMP - 220VAC 1NO + 1NC

Thermo Plastic



ZLDA01-B
TOP PLUNGER



ZLDA01-C
TOP ROLLER PLUNGER



ZLDA01-D
TOP ROLLER LEVER



ZLDA01A-1B
SIDE ROTARY FIXED



ZLDA01A-2B
SIDE ROTARY ADJUSTABLE



ZLDA01A-2Y
SIDE ROTARY-ADJUSTABLE
50mm ROLLER LEVER



1P67 1NO + 1NC with 1mtr CABLE

Side Exit & Bottom Exit



NGC-M-A10AX01B
METAL HOUSING
PIN PLUNGER



NGC-M-A10AX01L
PLASTIC HOUSING
CROSS PIN ROLLER PLUNGER



NGC-M-A10AX01C
PLASTIC HOUSING
ROLLER PLUNGER



NGC-M-B10AX01C
METAL HOUSING
ROLLER PLUNGER



NGC-P-A10AX01C
PLASTIC HOUSING
ROLLER PLUNGER

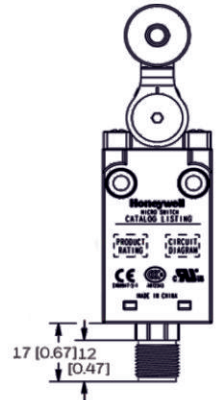
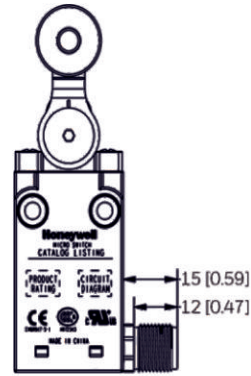


NGC-P-A10AX01B
PLASTIC HOUSING
PIN PLUNGER

Circuit Diagram

SIDE EXIT

BOTTOM EXIT



NGC-M-A10AX01M
METAL HOUSING
PIN PLUNGER WITH BOOT SEAL



NGC-M-A10AX01A1B
METAL HOUSING
ROLLER LEVER



NGC-M-A10AX01N
METAL HOUSING
PANEL MOUNT PIN PLUNGER



NGC-M-A10AX01P
TOP ROLLER PLUNGER
WITH EXTENDED



14CE

Miniature Precision Micro Limit Switch

Honeywell

IP 67 - 1 NO / 1 NC



14CE1-1 / 3
PIN PLUNGER PUSH ROD TYPE
1 MTR & 3 MTR CABLE



14CE2-1
PUSH ROLLER
PLUNGER MTR CABLE



14CE2-3
PARALLEL ROLLER
PLUNGER - 3MT CABLE



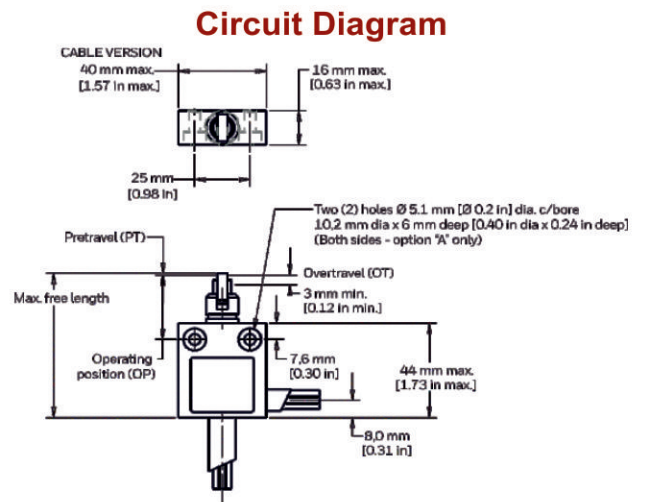
14CE3-1
CROSS ROLLER
PLUNGER - 1 MTR CABLE



14CE28-2
TOP PLUNGER
PANEL MOUNT 2 MTR CABLE



14CE16-1
FRONT ROTARY
1MTR CABLE



914CE2-3
PARALLEL ROLLER
PLUNGER 3 MTR CABLE



914CE3-9
CROSS ROLLER
PLUNGER 9 MTR CABLE



914CE16-9
FRONT ROTARY
9 MTR CABLE



KALYANI
INDUSTRIES

BXIND

Hazardous Area Flame Proof Limit Switch

IP67 - 2NO + 2NC 1/2 NPT with 10amp - 220v



BXINDA3K-2C
1/2" NPT SIDE
ROTARY MOMENTARY
1NO/1NC - ADJUSTABLE LEVER

Honeywell

(Required Accessories)



LSZ51A
PLASTIC ROLLER - Standard



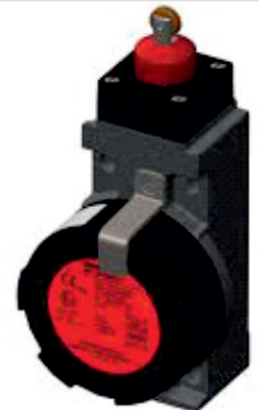
BXINDA4L-2C
3/4" NPT SIDE
ROTARY MOMENTARY
2NO/2NC - ADJUSTABLE LEVER



BXINDC-3K
1/2" NPT TOP PLUNGER PIN
1NO / 1NC



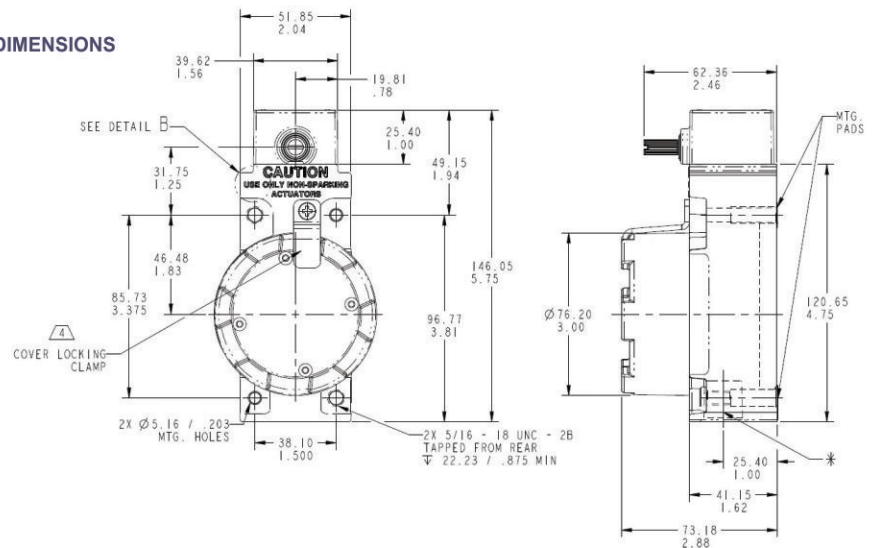
LSZ52C
PLASTIC ROLLER - Adjustable



BXINDD3K
3/4" NPT TOP PLUNGER
1NO / 1NC



DIMENSIONS



LSC

Limit Switches

IP67 - 1NO + 1NC SPDT with 10amp - 220v



LSC1A
TOP PIN PLUNGER
MOMENTARY
(0.5 - 14 NPT)



LSC2B
TOP PIN PLUNGER MOMENTARY
(0.75 - 14 NPT) 2NO 2NC



LSD1A
TOP ROLLER PLUNGER
MOMENTARY (0.5 - 14 NPT)

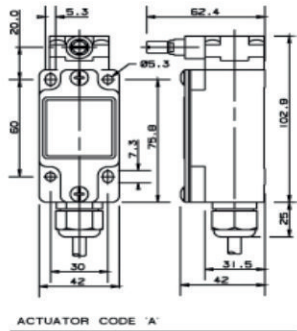


LSA4L
FRONT ROTARY
2NO 2NC

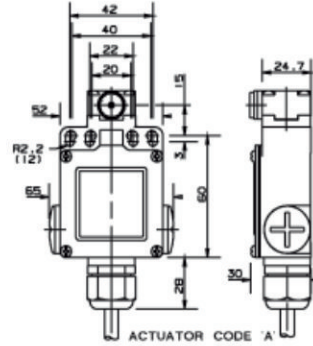


LSC4L
TOP PIN PLUNGER
2NO 2NC

Dimensions GXA Series



Dimensions GXE Series



LSZ51B
ROLLER - STANDARD



LSZ52B
ROLLER - ADJUSTABLE

GXA/GXE

AteX Approved Flame Proof Limit Switch

5 mtr Cable



GXA51A1B
SNAP ACTION, SIDE ROTARY
FIXED - STEEL

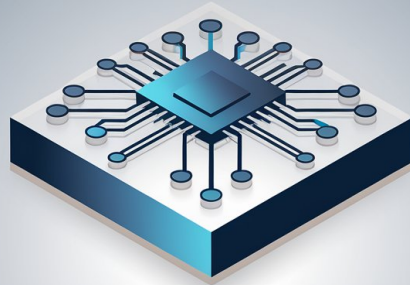


GXE51A1B
SNAP ACTION, SIDE ROTARY
FIXED - STEEL
5 MTR CABLE



GXE51A2B
SNAP ACTION, SIDE ROTARY
ADJUSTABLE - STEEL
5 MTR CABLE

HOUSE OF INDUSTRIAL AUTOMATION & SWITCHGEAR



KALYANI
INDUSTRIES

Our Own Brand

D LAPTRON®

AUTOMATION BRAND



SWITCHGEAR BRAND

